

# TJ53E

# NEW 2-stroke Engine

## Meeting Emission Regulations !!



### SPECIFICATIONS

■ Engine Type	Air-cooled, 2-stroke, Single Cylinder, Horizontal Shaft
■ Number of Cylinder	1
■ Bore×Stroke	44×35mm ( 1.73×1.38in. )
■ Displacement	53.2cm <sup>3</sup> ( 3.25cu.in. )
■ Max. Power *	2.0kW ( 2.7hp ) / 7500rpm
■ Max. Torque *	3.0N·m ( 2.2ft.lbs ) / 5000rpm
■ Direction of Rotation	Counter-clockwise facing the PTO shaft
■ Fuel	Mixture of Gasoline and Oil ( 50 : 1 )
■ Fuel Tank Capacity	1.1liter ( 1.2US.qt. )
■ Ignition System	Magneto
■ Starting System	Recoil Starter
■ Governor System	Mechanical
■ Air Filter	Dry type ( Polyurethane foam )
■ Dry Weight	4.3kg ( 9.5lbs )
■ Dimensions ( L×W×H )	202×289×272mm ( 7.95×11.4×10.7in )

\* The power rating of the engine indicated is the Net horsepower rating as tested on a production engine and measured in accordance with SAE 1349. Actual power output will vary depending on numerous factors, including but not limited to, the operating speed of the engine in application, environmental conditions, maintenance, and other variables.

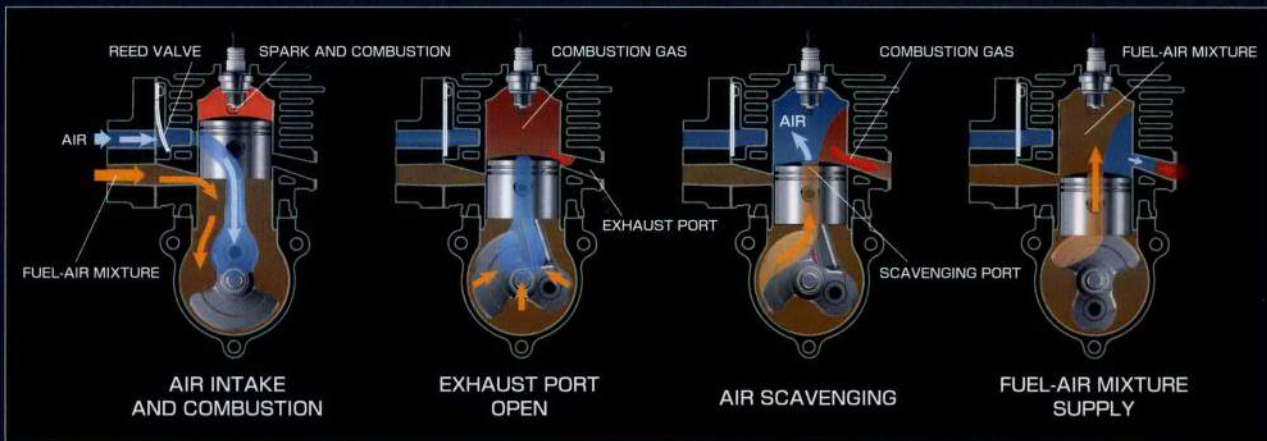
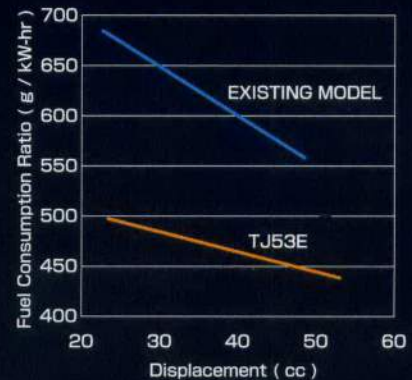
**Kawasaki**  
Let the good times roll.

The new TJ53E meets the performance and durable demands of the professional user.

With its compact design, high-build quality as well as a specification that exceeds all emission regulation requirements, the new TJ53E has all the necessary features to deliver the power requirement for high demanding work.

## 01 Environment Friendly

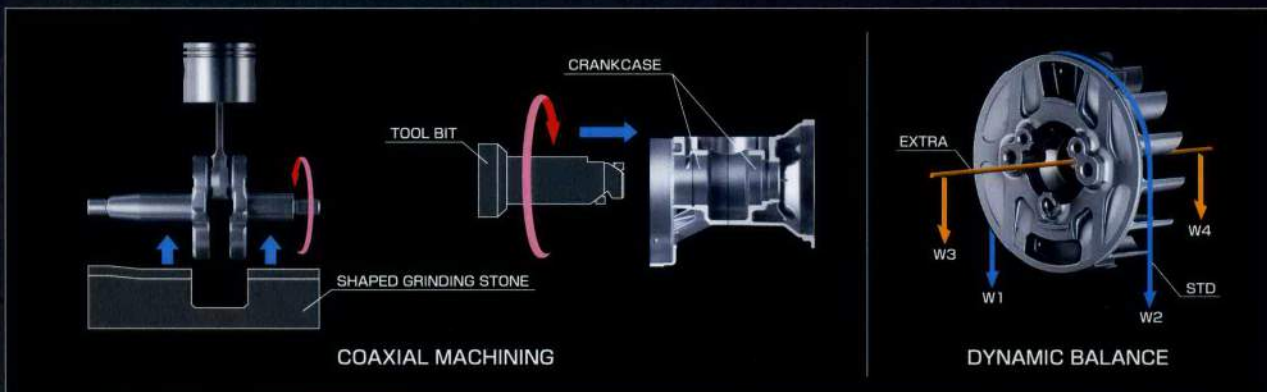
This engine exceeds the emission regulations for the EU, USA and Japan without the need for a catalytic converter. To achieve this, the scavenging system and combustion chamber have been developed along with the relocation of a V groove type spark plug to give optimum ignition. In addition to the low emission levels, these features have achieved a reduction in fuel consumption ratio of 15% when compared with conventional products.



## 02 Low Vibration and Low Noise

With the introduction of new machining technologies during the manufacture of the crankshaft, the fitting of a lightweight piston and the use of a dynamically balanced flywheel has reduced vibration levels.

These features coupled to a low noise clutch have resulted in overall noise reduction.



ALUMINUM SPARK PLUG CAP MEETING LOW EMC EMISSIONS

EASY MAINTENANCE AIR CLEANER COVER

OPTIMUM LOCATED SPARK PLUG  
(BPMRBY)

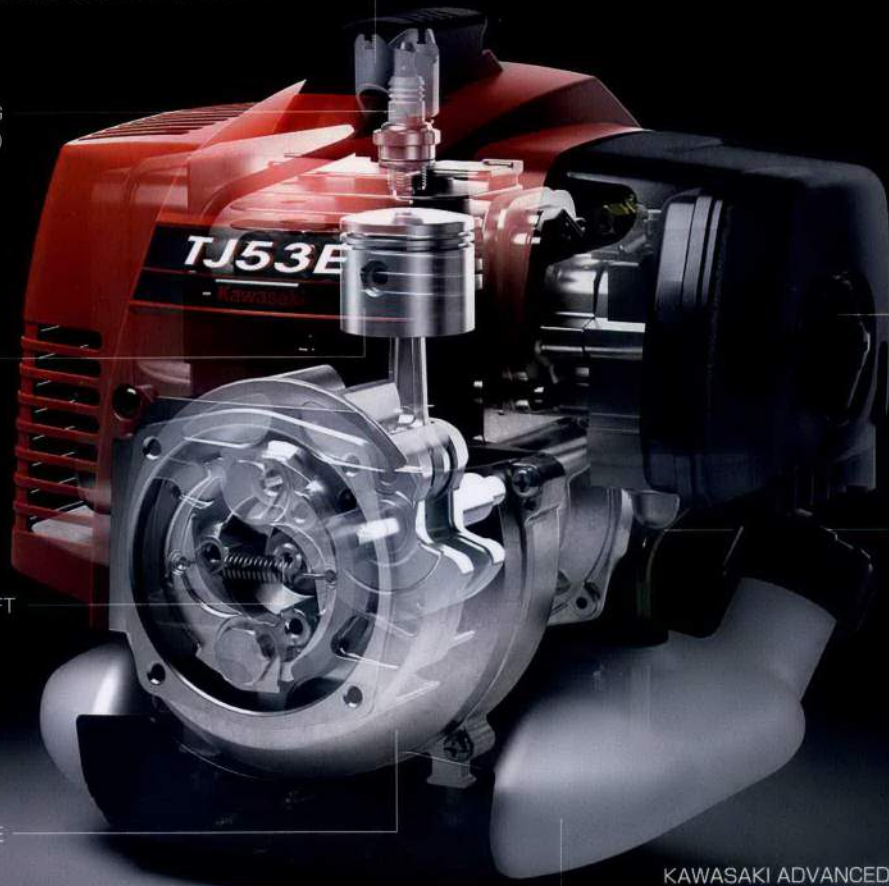
LIGHT WEIGHT AND  
LUBRICATED PISTON

COAXIAL MACHINED CRANKSHAFT

COAXIAL MACHINED CRANKCASE

KAWASAKI ADVANCED RECOIL STARTER

LARGE CAPACITY FUEL TANK



## 03 High Work Efficiency

With the largest fuel tank capacity in its class, this Engine meets the demands of the professional user with fewer breaks in work to refuel.

A large easy to operate fixing on the air cleaner allows quick and easy maintenance.

Rare earth magnets are used on the ignition system to reduce overall weight and provide positive engine response.

## 04 Superior Startability

The KAR ( Kawasaki Advanced Recoil ) starter is fitted to the engine as standard.

The starter features a damper system that stores and releases the necessary force to ensure an easy and smooth start every time, resulting in less effort compared with standard type starters.

## 05 Long Durability

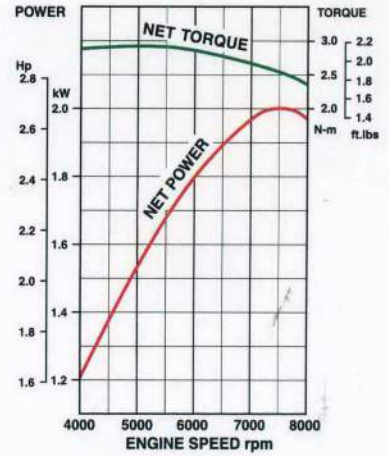
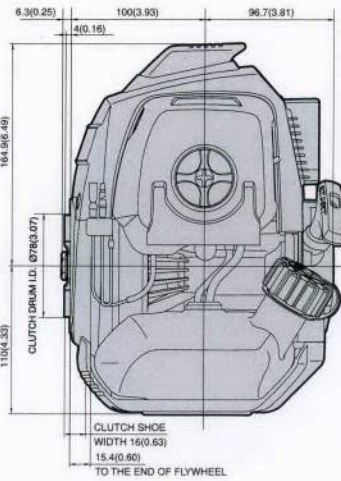
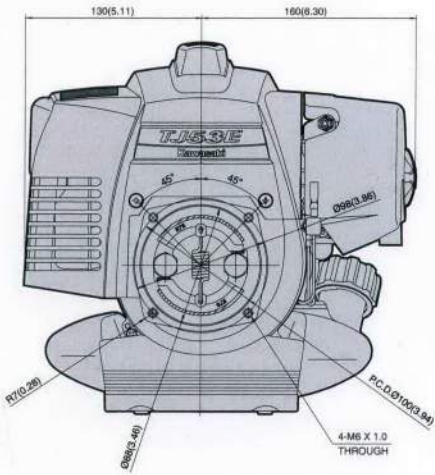
Kawasaki has applied its vast knowledge and experience from many years of engine design and construction to produce an engine that is not only high performing but also with durability levels that meet the needs of the most professional user.

## 06 Low Radiated Emission

Low EMC emissions.

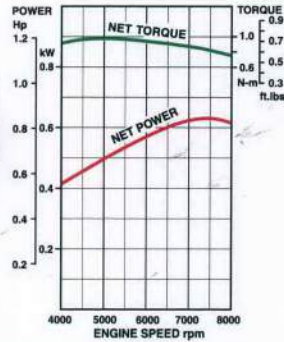
A specifically designed, standard equipment aluminum spark plug cap reduces any electromagnetic interference and exceeds the broadband emission test based on ENISO14982:1998. Kawasaki is the only supplier achieving the target of regulations. ( PATENT PENDING )

# DIMENSIONAL SPECIFICATIONS



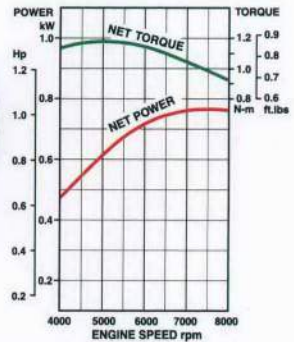
## SERIES LINEUP

### TJ23E



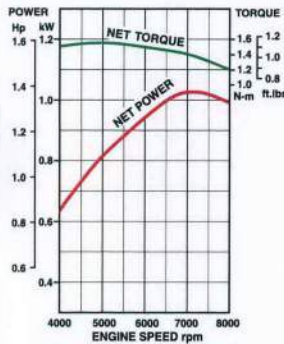
■ Engine Type	Air-cooled, 2-stroke, Single Cylinder, Horizontal Shaft
■ Number of Cylinders	1
■ Bore × Stroke	32 × 29mm ( 1.26 × 1.14in. )
■ Displacement	23.3ccl ( 1.5cu.in. )
■ Max. Power *	0.63kW ( 0.84hp ) / 7500rpm
■ Max. Torque *	0.97N·m ( 0.72ft.lbs ) / 5000rpm
■ Fuel Tank Capacity	0.5liter ( 0.5US.qt. )
■ Dry Weight	2.6kg ( 5.7lbs )
■ Dimensions ( L × W × H )	171 × 246 × 221mm ( 6.73 × 9.68 × 8.70in. )

### TJ27E



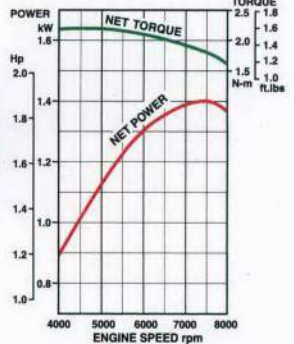
■ Engine Type	Air-cooled, 2-stroke, Single Cylinder, Horizontal Shaft
■ Number of Cylinders	1
■ Bore × Stroke	34 × 29mm ( 1.34 × 1.14in. )
■ Displacement	26.3ccl ( 1.7cu.in. )
■ Max. Power *	0.77kW ( 1.03hp ) / 7500rpm
■ Max. Torque *	1.18N·m ( 0.87ft.lbs ) / 5000rpm
■ Fuel Tank Capacity	0.5liter ( 0.5US.qt. )
■ Dry Weight	2.6kg ( 5.7lbs )
■ Dimensions ( L × W × H )	171 × 247 × 221mm ( 6.73 × 9.72 × 8.70in. )

### TJ35E



■ Engine Type	Air-cooled, 2-stroke, Single Cylinder, Horizontal Shaft
■ Number of Cylinders	1
■ Bore × Stroke	37 × 32mm ( 1.46 × 1.26in. )
■ Displacement	34.4ccl ( 2.2cu.in. )
■ Max. Power *	1.03kW ( 1.38hp ) / 7000rpm
■ Max. Torque *	1.55N·m ( 1.14ft.lbs ) / 5000rpm
■ Fuel Tank Capacity	0.7liter ( 0.7US.qt. )
■ Dry Weight	3.1kg ( 6.8lbs )
■ Dimensions ( L × W × H )	177 × 262 × 238mm ( 6.97 × 10.30 × 9.37in. )

### TJ45E



■ Engine Type	Air-cooled, 2-stroke, Single Cylinder, Horizontal Shaft
■ Number of Cylinders	1
■ Bore × Stroke	42.5 × 32mm ( 1.67 × 1.26in. )
■ Displacement	45.4ccl ( 2.9cu.in. )
■ Max. Power *	1.4kW ( 1.88hp ) / 7500rpm
■ Max. Torque *	2.18N·m ( 1.61ft.lbs ) / 5000rpm
■ Fuel Tank Capacity	0.9liter ( 0.9US.qt. )
■ Dry Weight	3.8kg ( 8.4lbs )
■ Dimensions ( L × W × H )	189 × 264 × 262mm ( 7.44 × 10.40 × 10.30in. )

\* The power rating of the engine indicated is the Net horsepower rating as tested on a production engine and measured in accordance with SAE 1349. Actual power output will vary depending on numerous factors, including but not limited to, the operating speed of the engine in application, environmental conditions, maintenance, and other variables.